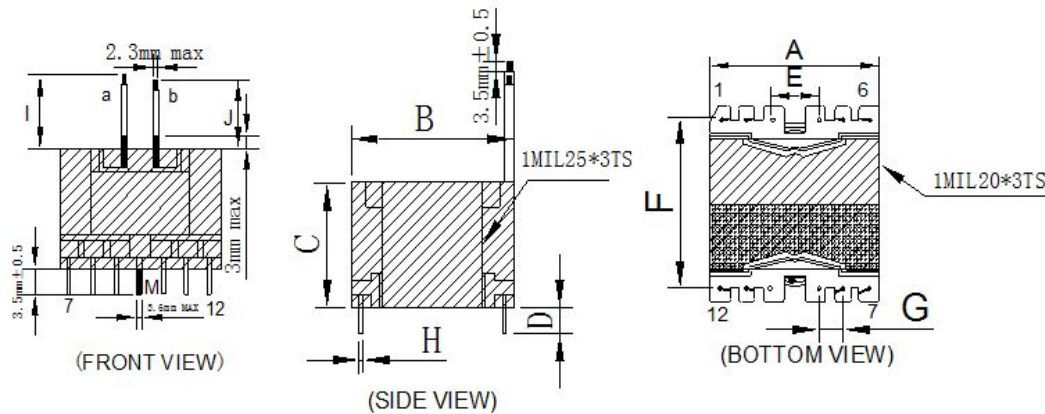


CUSTOMER TERMINAL	ROHS	Lead(Pb)-free
	YES	YES

1. Mechanical Dimensions

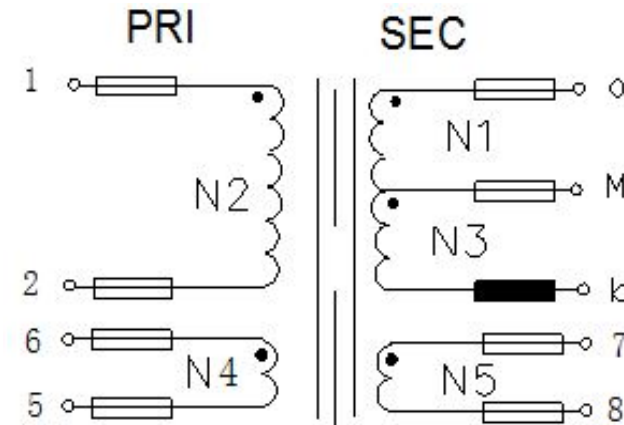


A	29.5	MAX
B	30.5	MAX
C	26.5	MAX
D	3.5	±0.5
E	7.6	±0.3
F	25.4	±0.4
G	3.8	±0.3
H	0.60	±0.1
I	53.0	±2.0
J	50.0	±2.0

3. Material List

Core:FW44 PQ2625
 Bobbin:FWB2602(6+6PIN)
 Wire:2UEW TIW LITZ
 Operating Temperature: -30 to115 °C

2. Schematic Diagram



4. Electrical Specification

Inductance: L(1-2):45uH±5% 100KHZ 、 0.6V
 Leakage Inductance : 3uH MAX 100KHZ 、 0.6V
 DCR:(1-2)=0.085ΩMAX (A-B)=0.035ΩMAX
 Hi-Pot:P-S: AC 60Hz 4000V 2.0mA 3S
 S-CORE: AC 60Hz 3000V 2.0mA 3S

REV.	DATE	 Convention Placement	DRW.	Drawing Title:	Part No:		
0	00/00		CHK.			TRANSFORMER	FWPTPQ2625V450J-1
			APP.			Customer P/N	Specification Sheet 1of 1
ROHS		www.ferriwo.com					